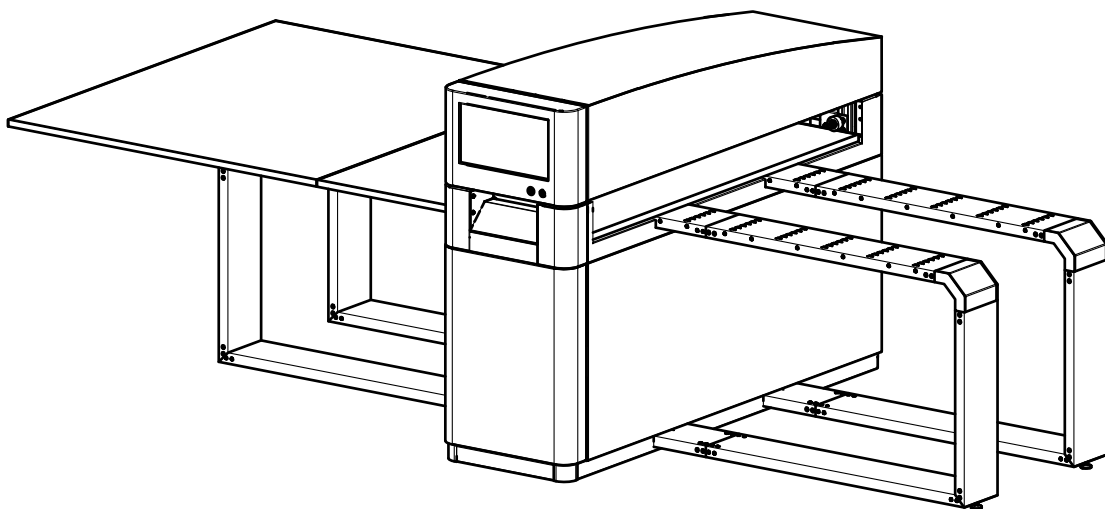
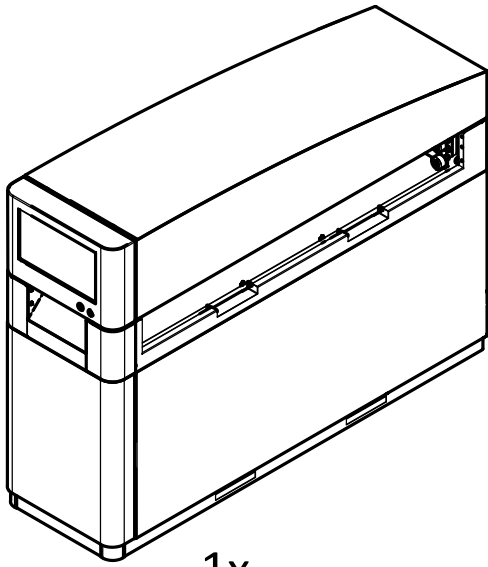


Assembly Instructions

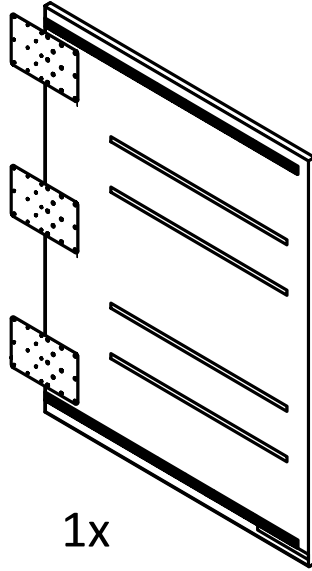
Montageanleitung, Instrucciones de montaje, Instructions de montage,
Istruzioni per il montaggio, Montage Instructies, Instrukcja montażu,
Instruções de montage, 組立説明書, Инструкции по монтажу, 装配说明

WT48ART-800 /
WT60ART-800

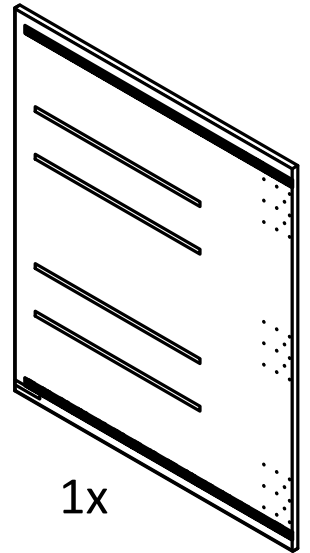




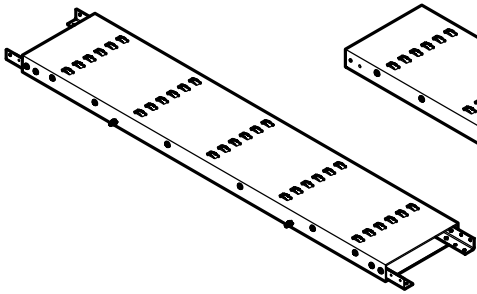
1x



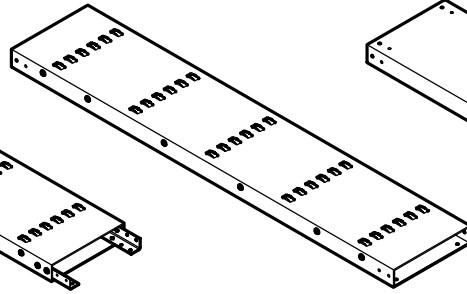
1x



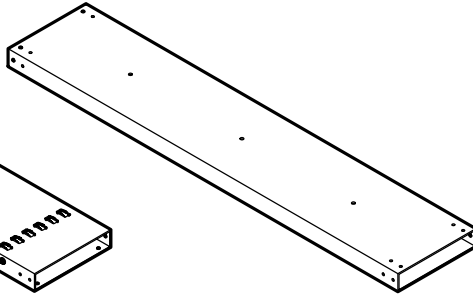
1x



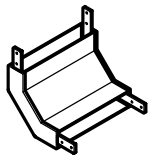
2x



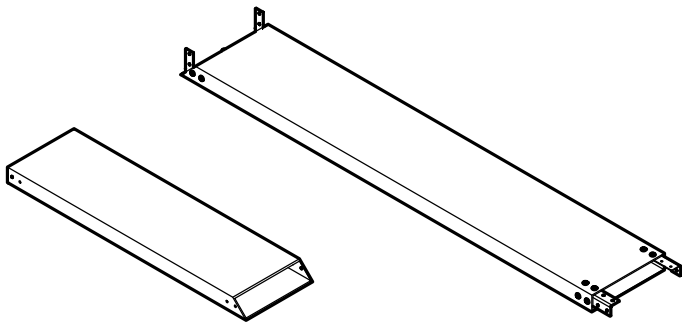
4x



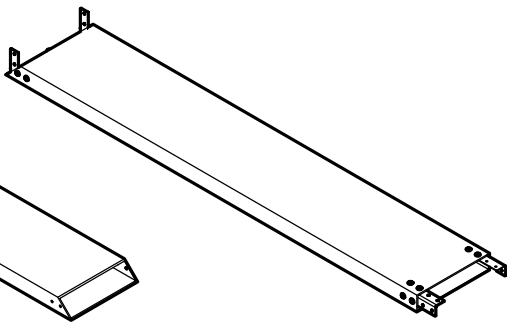
2x



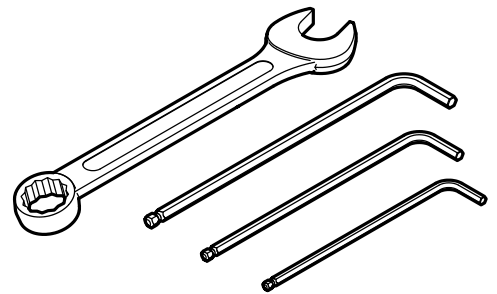
4x



4x



4x

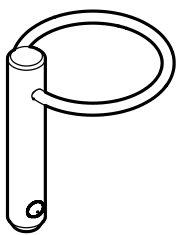


1x SW13

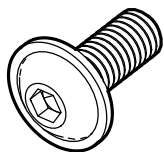
1x SW3

1x SW4

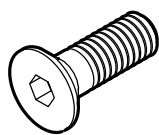
1x SW2.5



(2+1)x

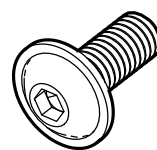


2x(56+2)
Black

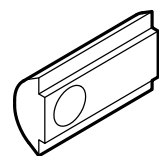


(33+2)x

Monitor Mounting Option

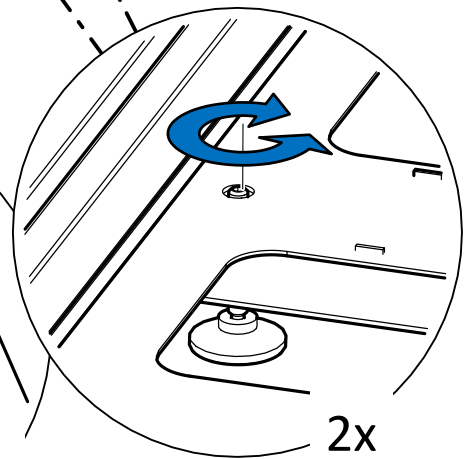
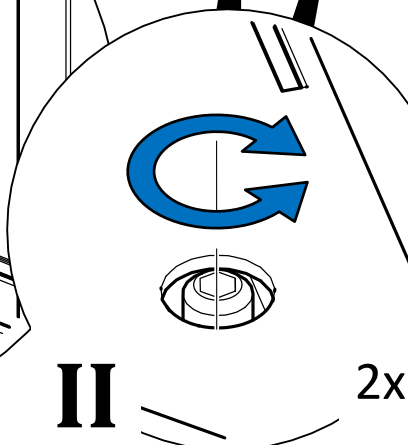
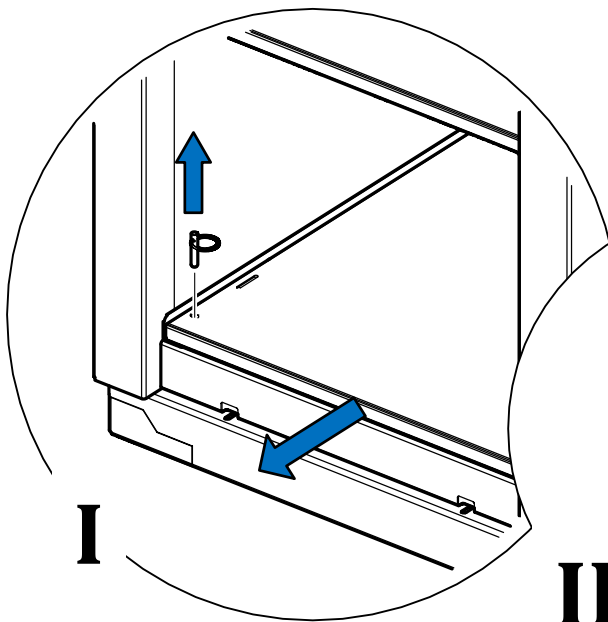
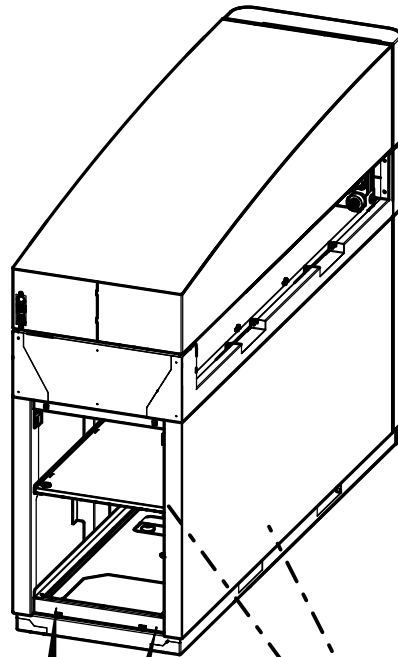
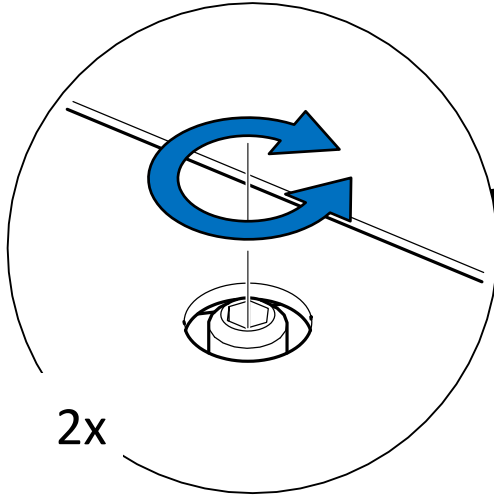
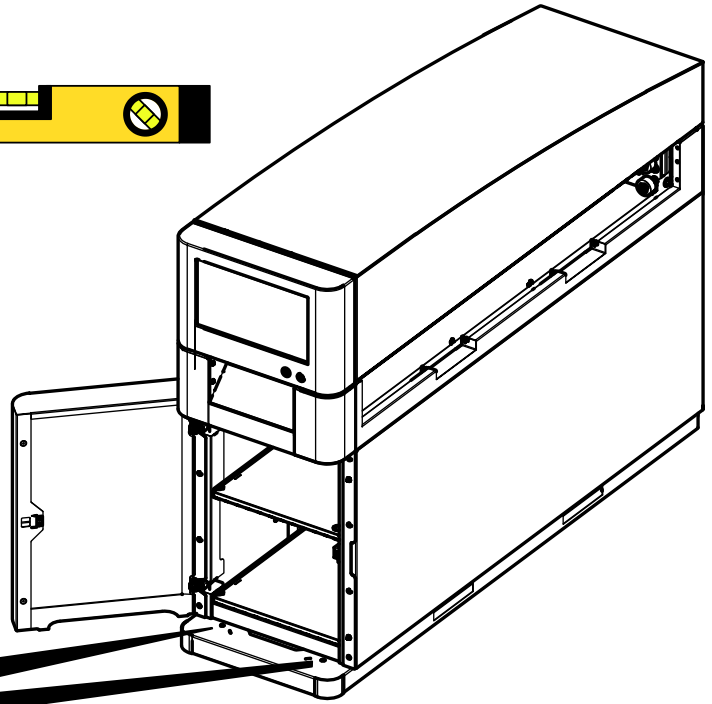


(10+2)x
Silver

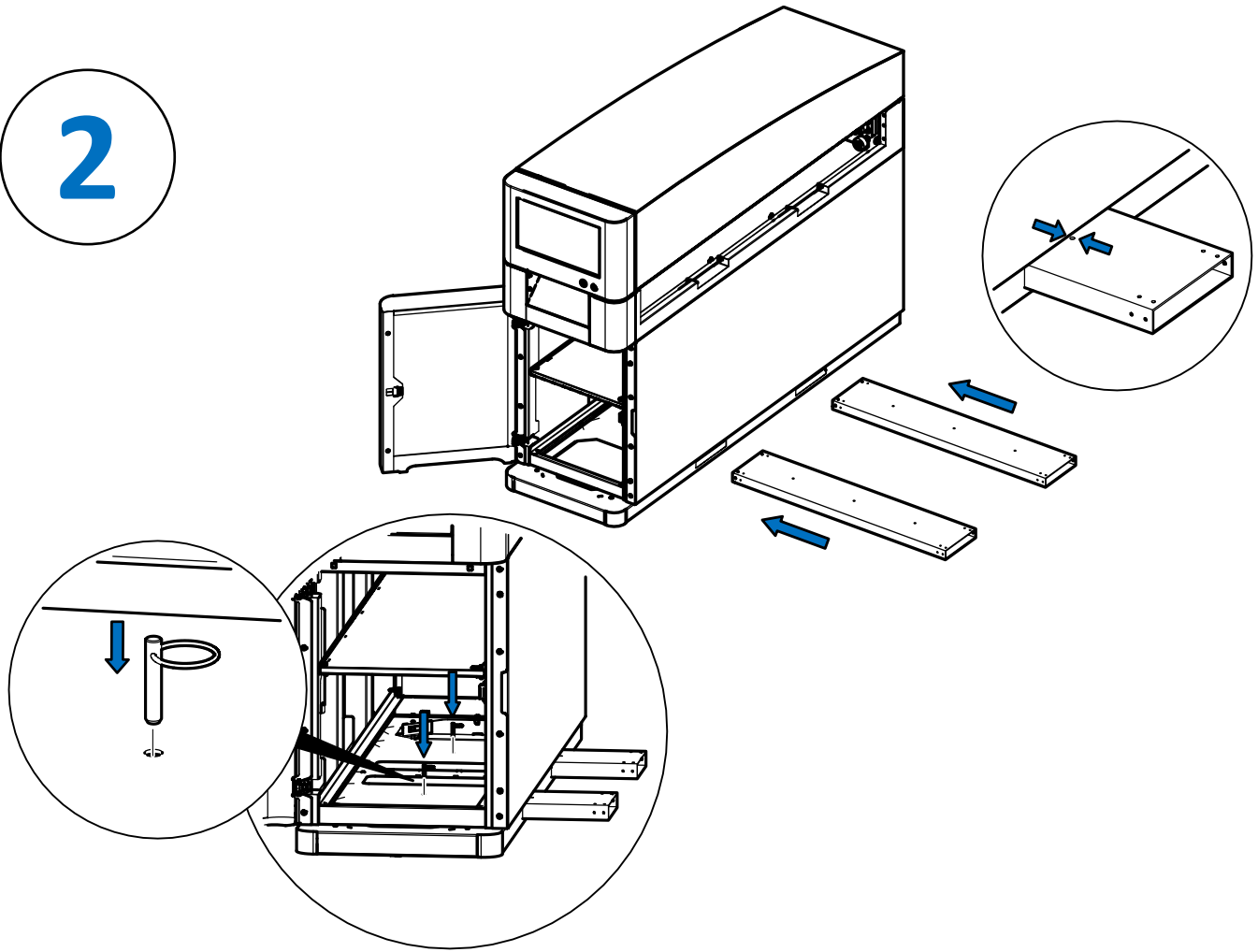


(6+2)x

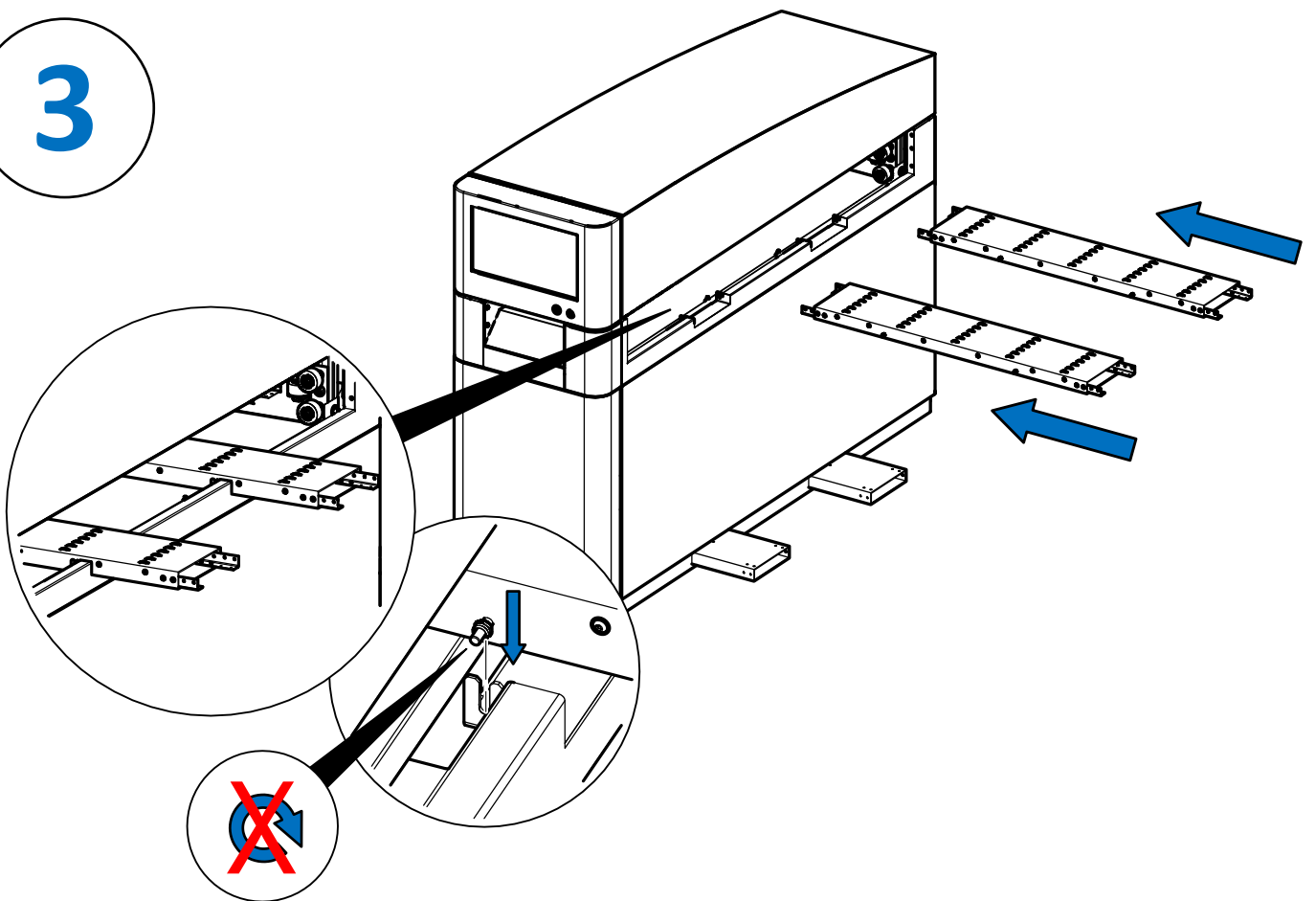
1



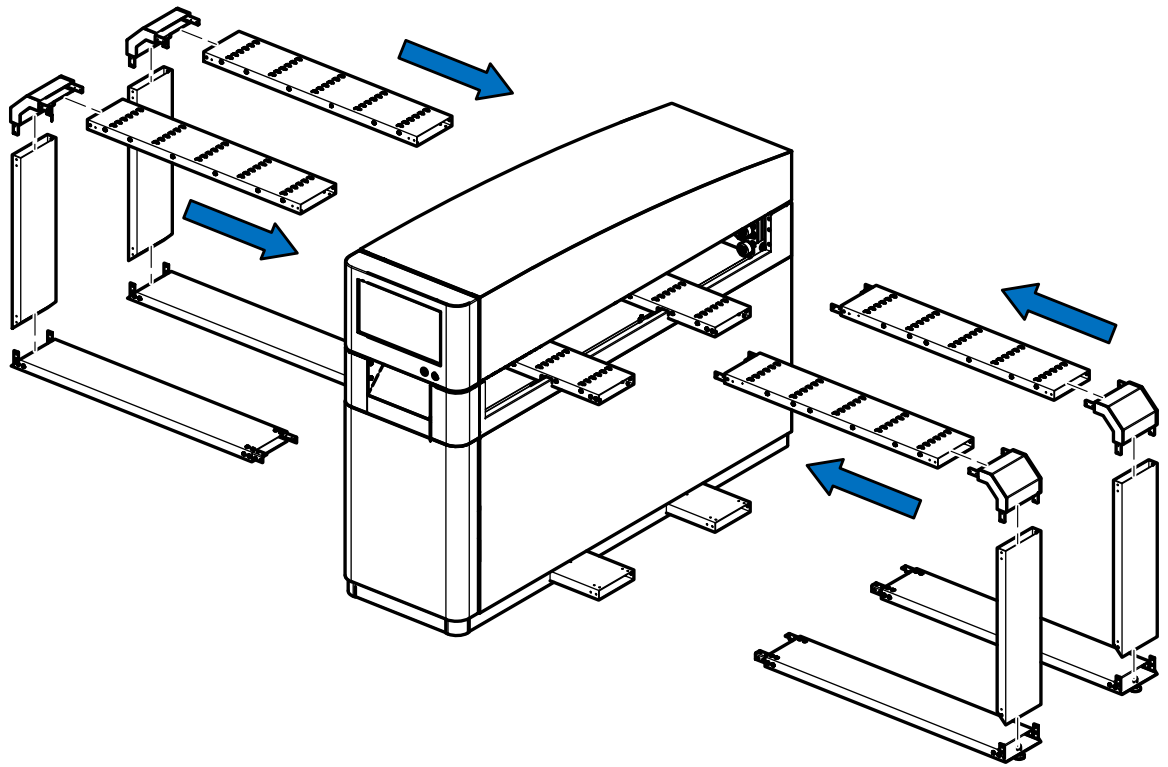
2



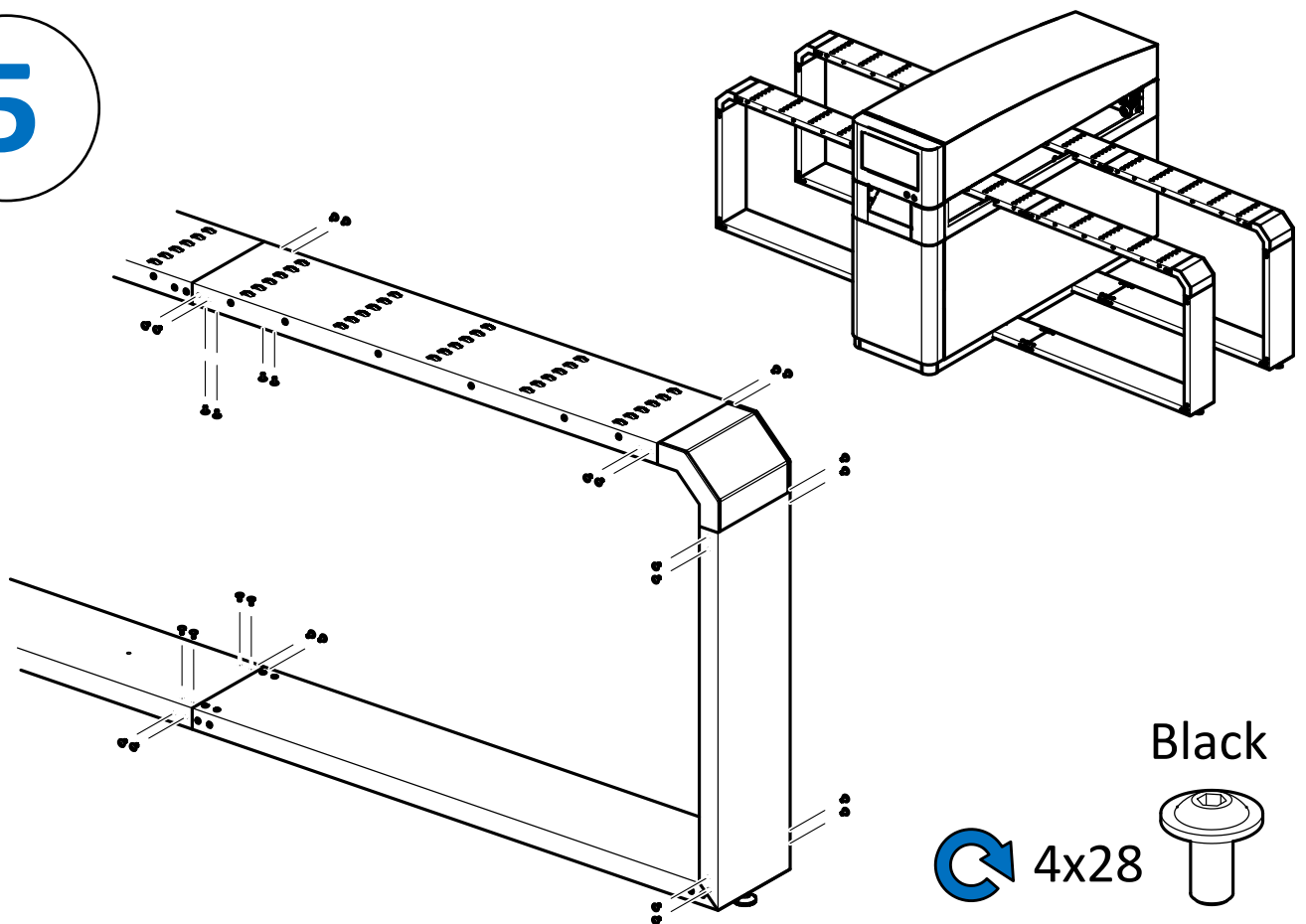
3



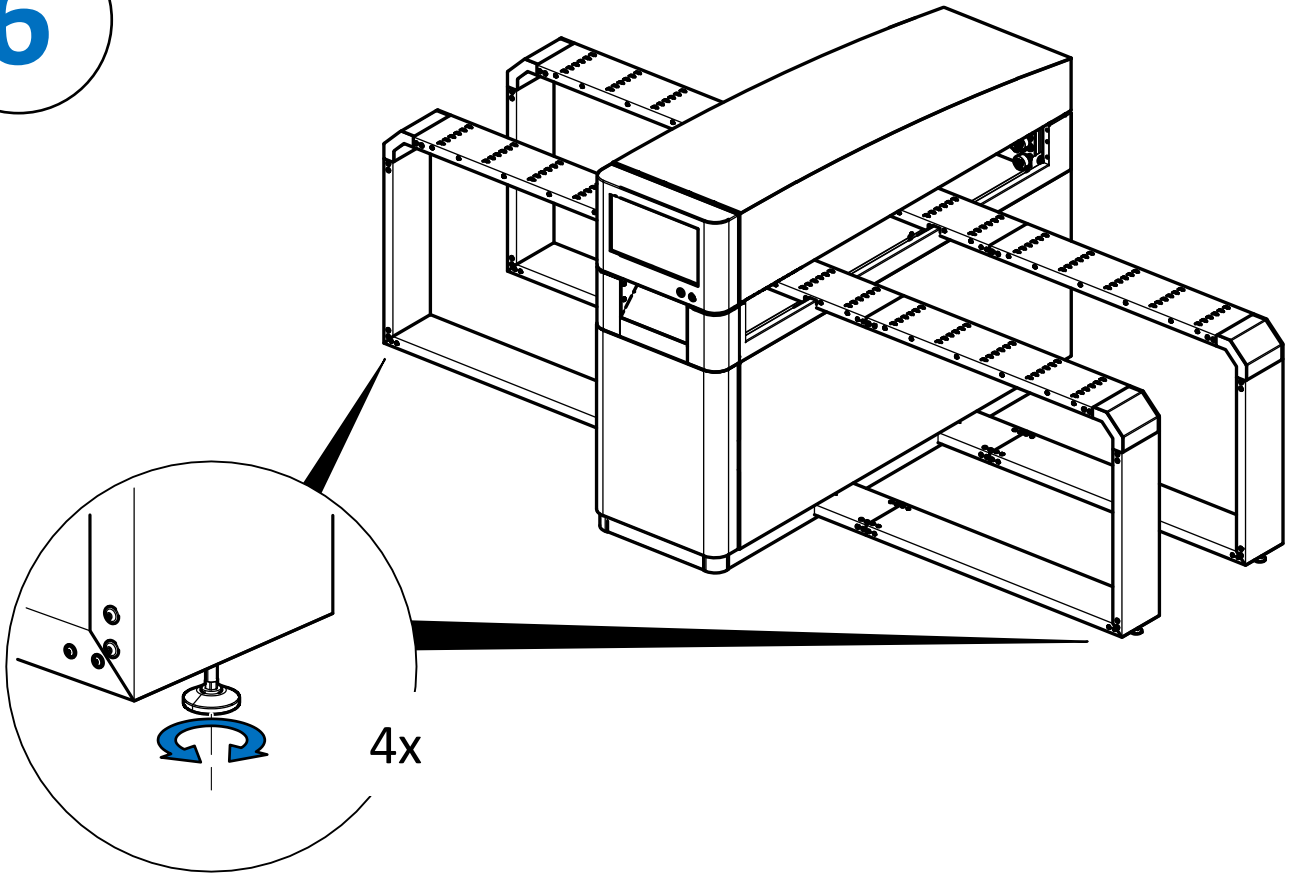
4



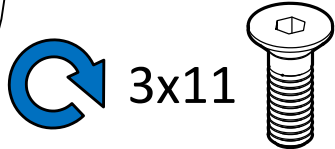
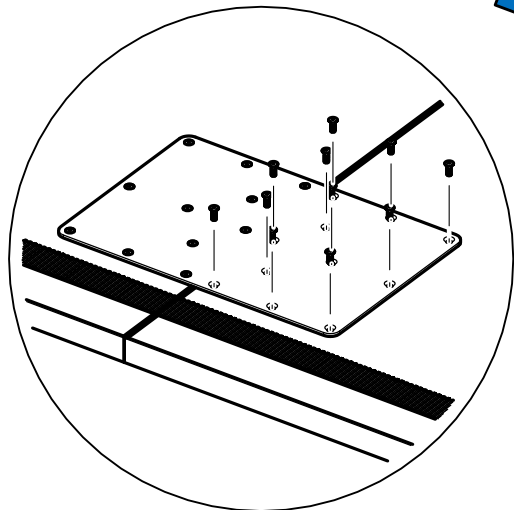
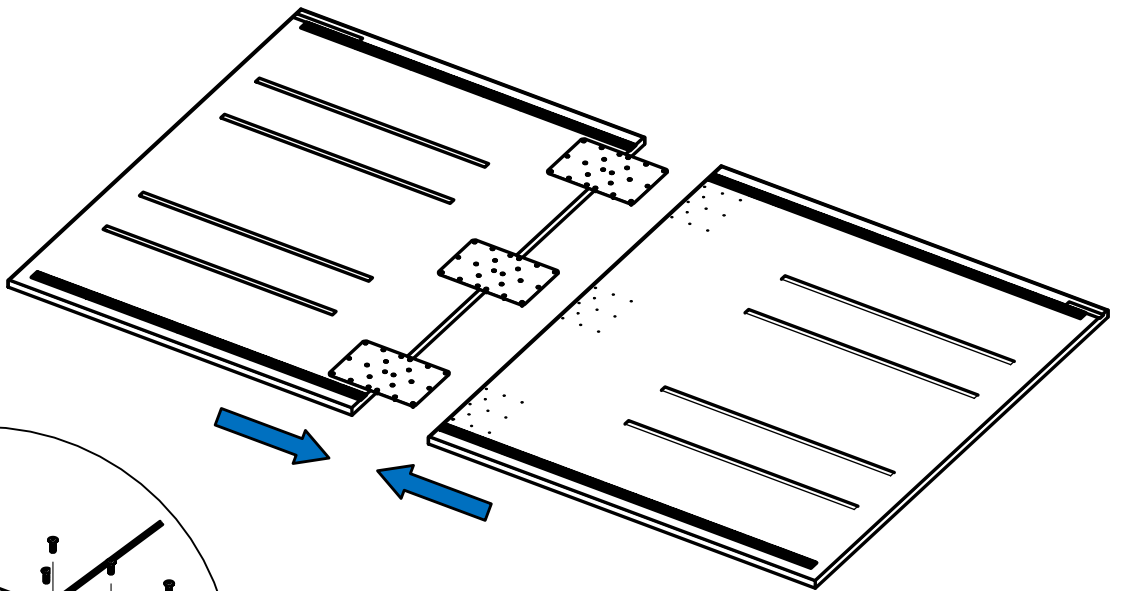
5



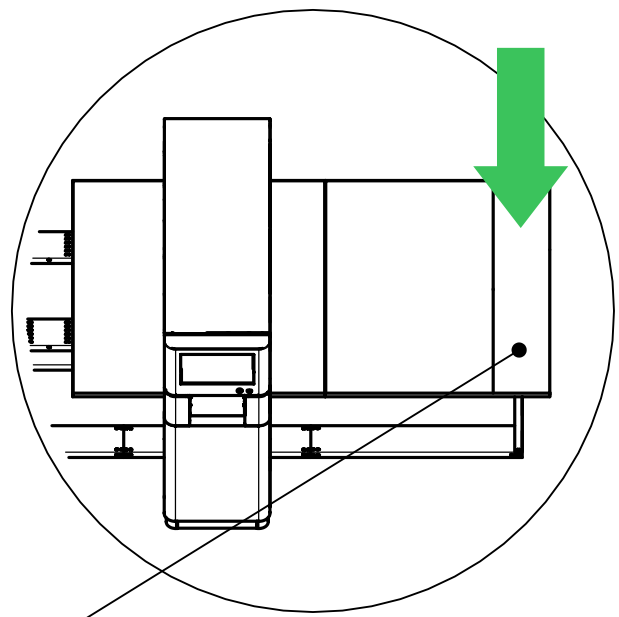
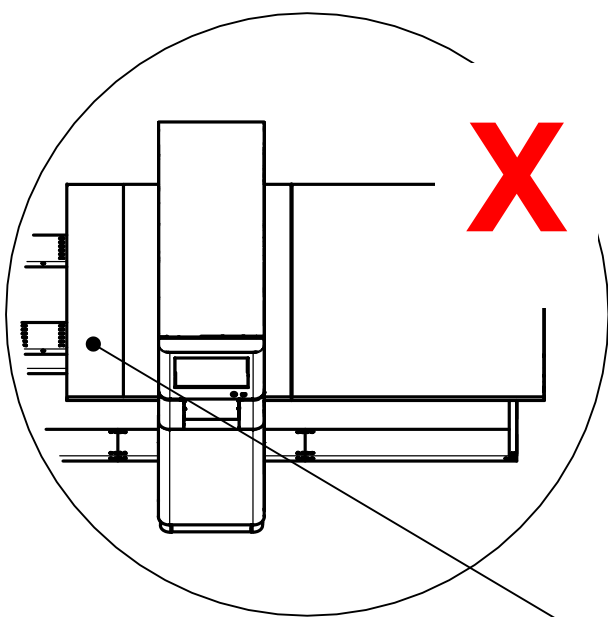
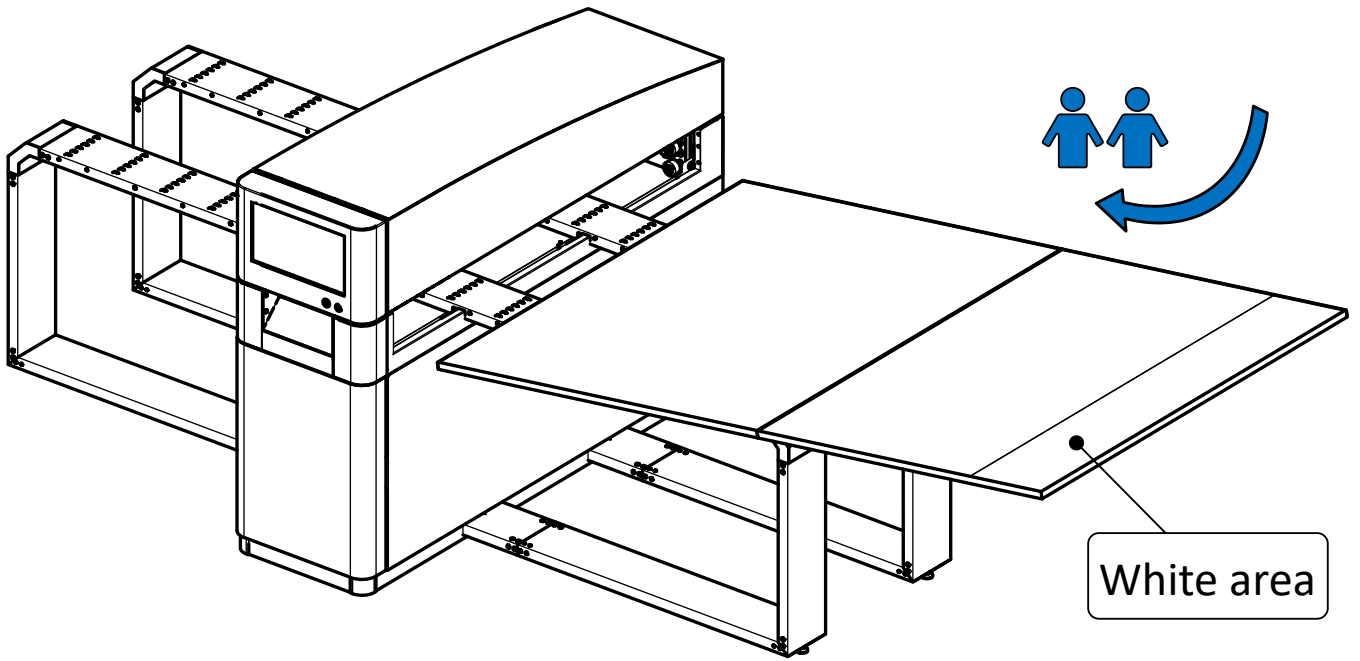
6



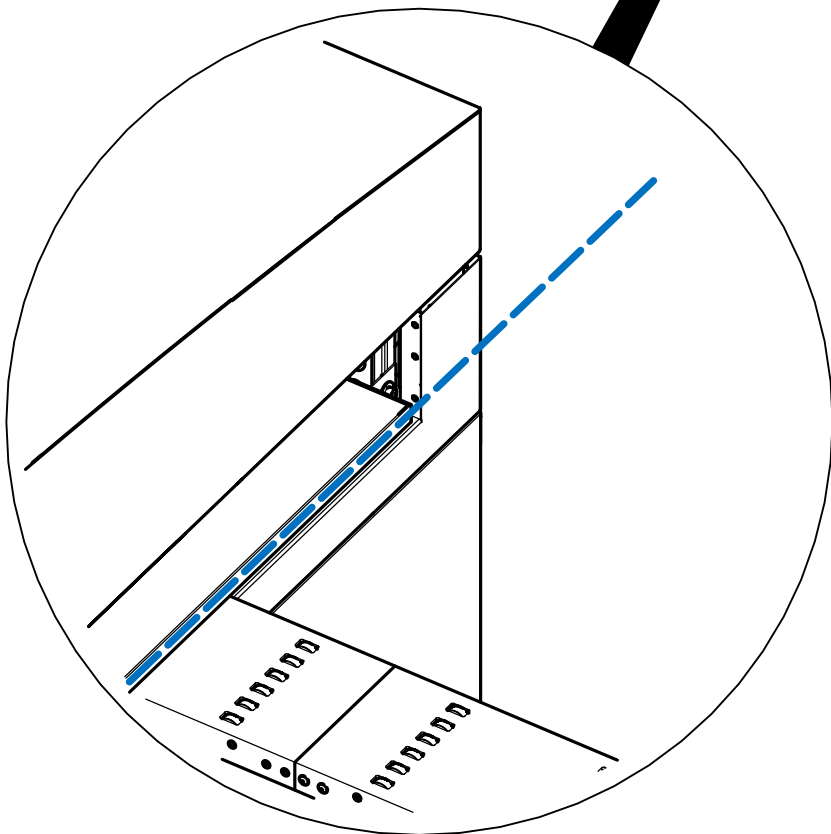
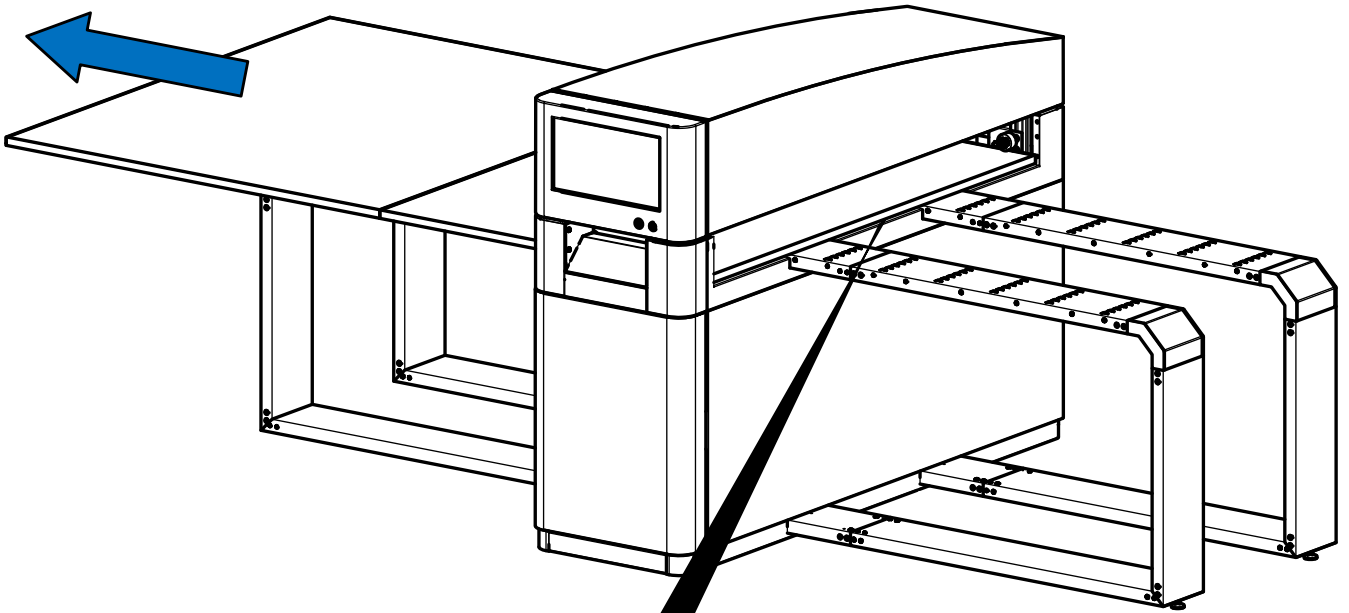
7



8

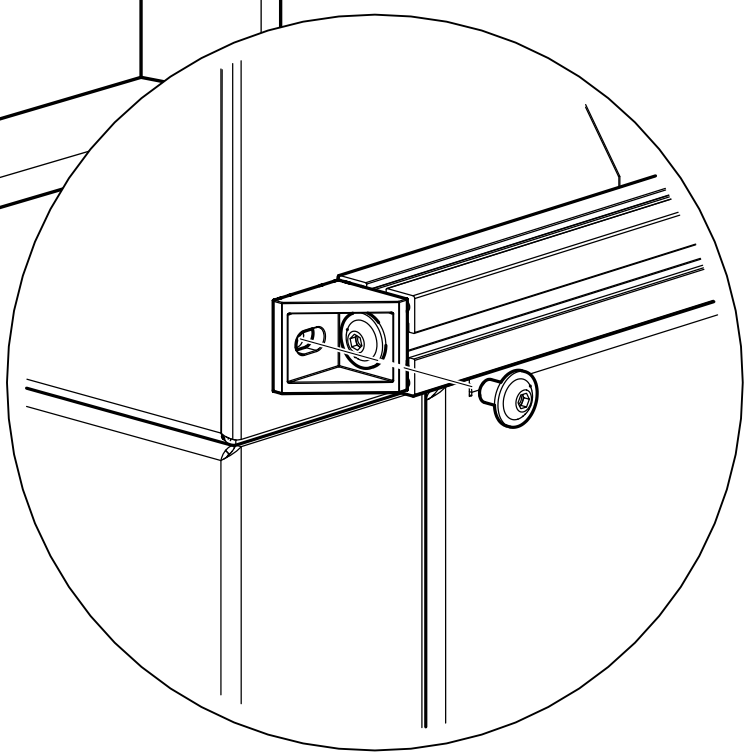
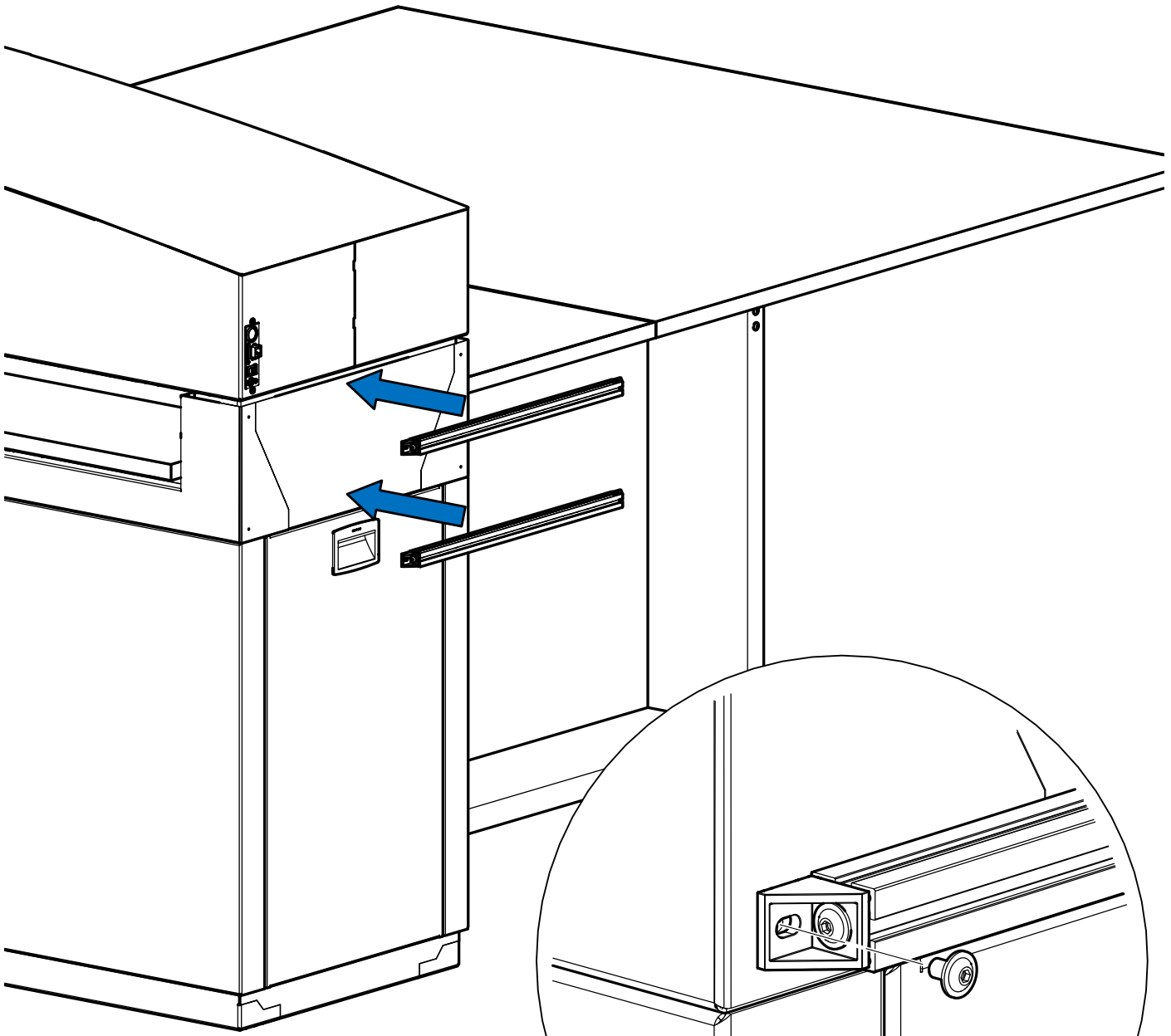
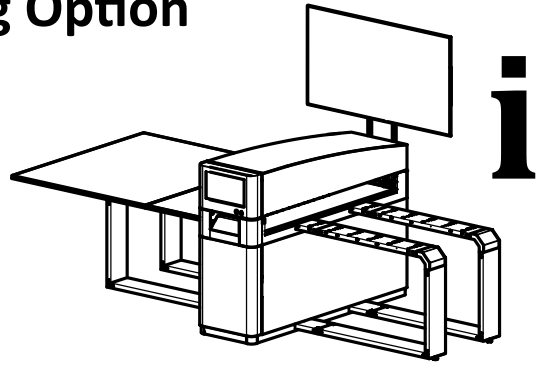


9



Monitor Mounting Option

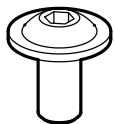
10



Silver

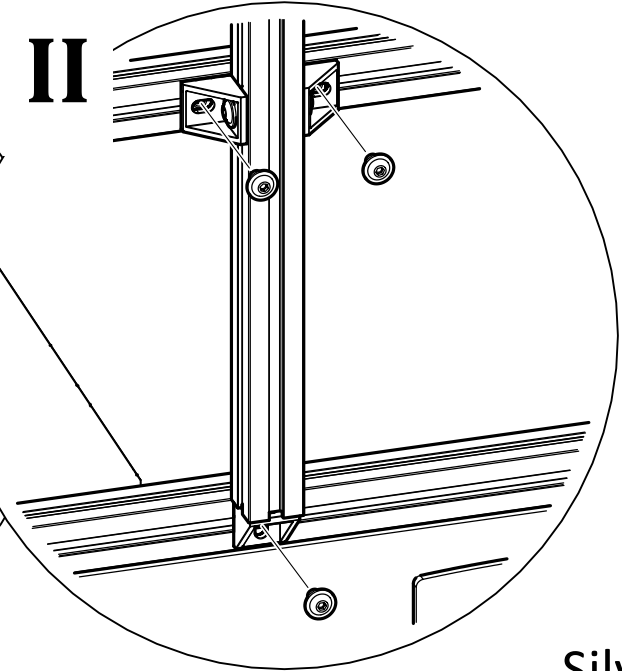
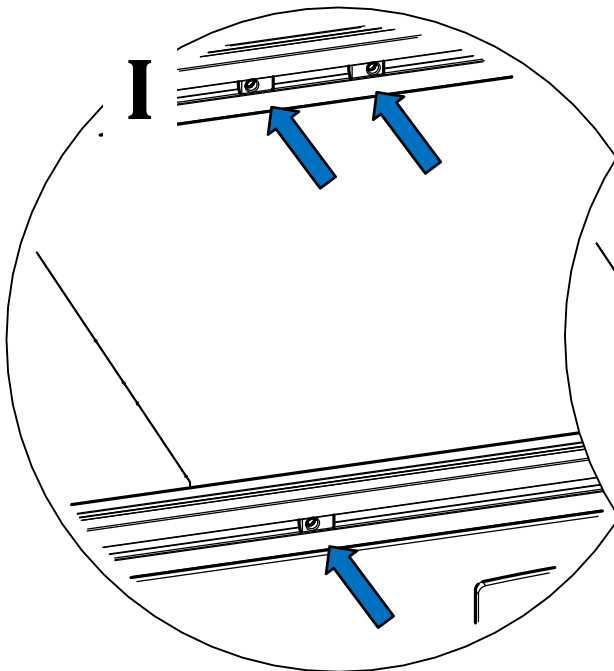
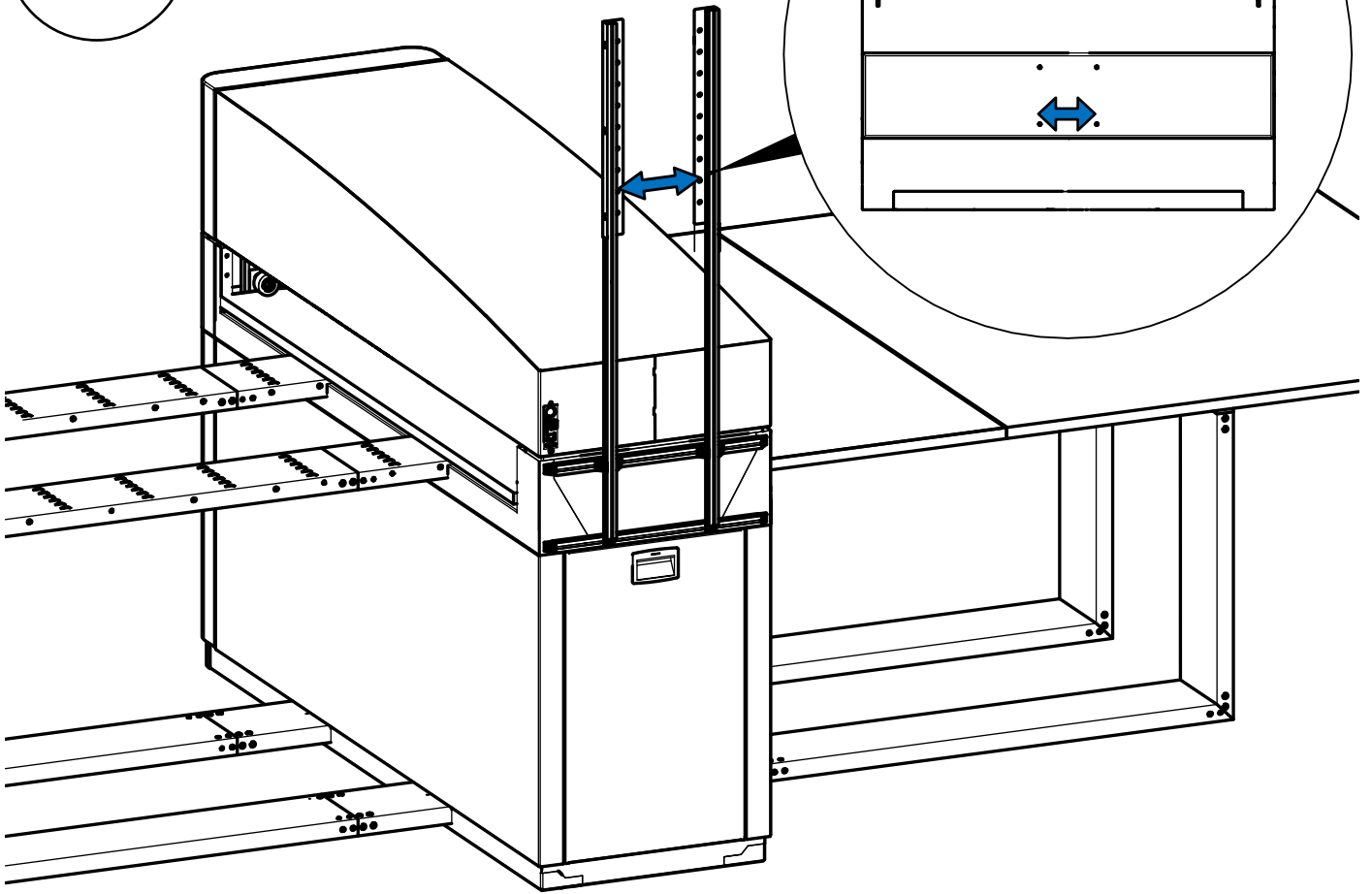


4x

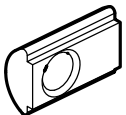


11

Vesa spacing
of the monitor

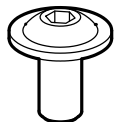


2x3



2x3

Silver



12

